

Wall Mounting Patch Brackets for 483 mm (19") Installations



✓ adjustable depth

✓ stackable

✓ flat pack delivery

✓ additional top/base closing panels

Abstract

Wall mounting patch brackets for 483 mm (19") installations, adjustable depth, stackable

Features

- 1.1 - 1.5 strong steel sheet, powder coated
- adjustable depth (min. 250 mm; max. 430 mm)
- height and depth indicators
- rear side with cut-outs for cabling
- stackable (fixing brackets included)
- load capacity of 10 kg per height unit (U)

Product Overview

The Wall Mounting Patch Brackets for 483 mm (19") installations are used for open mountings of 483 mm (19") components. They are available in several height units and can be stacked to suit to your individual needs of space. If needed the top and base can be closed with additional closing panels with cable brush. The brackets are adjustable in depth which makes the installation of larger components possible. A big cut-out area on the rear side can be used to guide cables which come directly from the wall. All patch brackets are delivered as flat pack to save space and transportation costs.

Product Number Information

Patch Brackets

Item code	Height unit	Product dimensions (HxWxD) in mm	Color
DN-19 PB-2U	2U	106 x 505 x 250 mm	Grey (RAL 7035)
DN-19 PB-2U-SW			Black (RAL 9005)
DN-19-PB-3U	3U	150 x 505 x 250 mm	Grey (RAL 7035)
DN-19-PB-3U-SW			Black (RAL 9005)
DN-19 PB-4U	4U	195 x 505 x 250 mm	Grey (RAL 7035)
DN-19 PB-4U-SW			Black (RAL 9005)
DN-19-PB-6U	6U	284 x 505 x 250 mm	Grey (RAL 7035)
DN-19-PB-6U-SW			Black (RAL 9005)
DN-19 PB-8U	8U	372 x 505 x 250 mm	Grey (RAL 7035)
DN-19 PB-8U-SW			Black (RAL 9005)

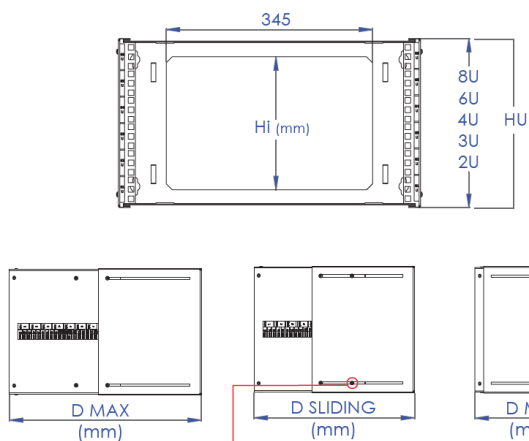
Top or Base Closing Panel

Item code	Color
DN-19-PB-TB	Grey (RAL 7035)
DN-19-PB-TB-SW	Black (RAL 9005)

Logistic Data

Item code	Packaging dimensions (HxWxD) in mm	Weight in kg
DN-19 PB-2U	40x530x115 mm	2.1 kg
DN-19 PB-2U-SW		
DN-19-PB-3U	40x530x155 mm	2.8 kg
DN-19-PB-3U-SW		
DN-19 PB-4U	40x530x205 mm	3.5 kg
DN-19 PB-4U-SW		
DN-19-PB-6U	40x530x295 mm	4.8 kg
DN-19-PB-6U-SW		
DN-19 PB-8U	40x530x380 mm	6.0 kg
DN-19 PB-8U-SW		
DN-19-PB-TB	30x515x250 mm	1.8 kg
DN-19-PB-TB-SW		

Technical Drawings



H U	H (mm)	Hi (mm)	D Max (mm)	D Sliding (mm)	D Min (mm)
8U	372	312	430	360	250
6U	284	223	430	360	250
4U	195	134	430	360	250
3U	150	90	430	360	250
2U	106	45	430	360	250

* To set D MAX one of the screw has to be taken off- which is stopping the sliding function at D SLIDING depth.

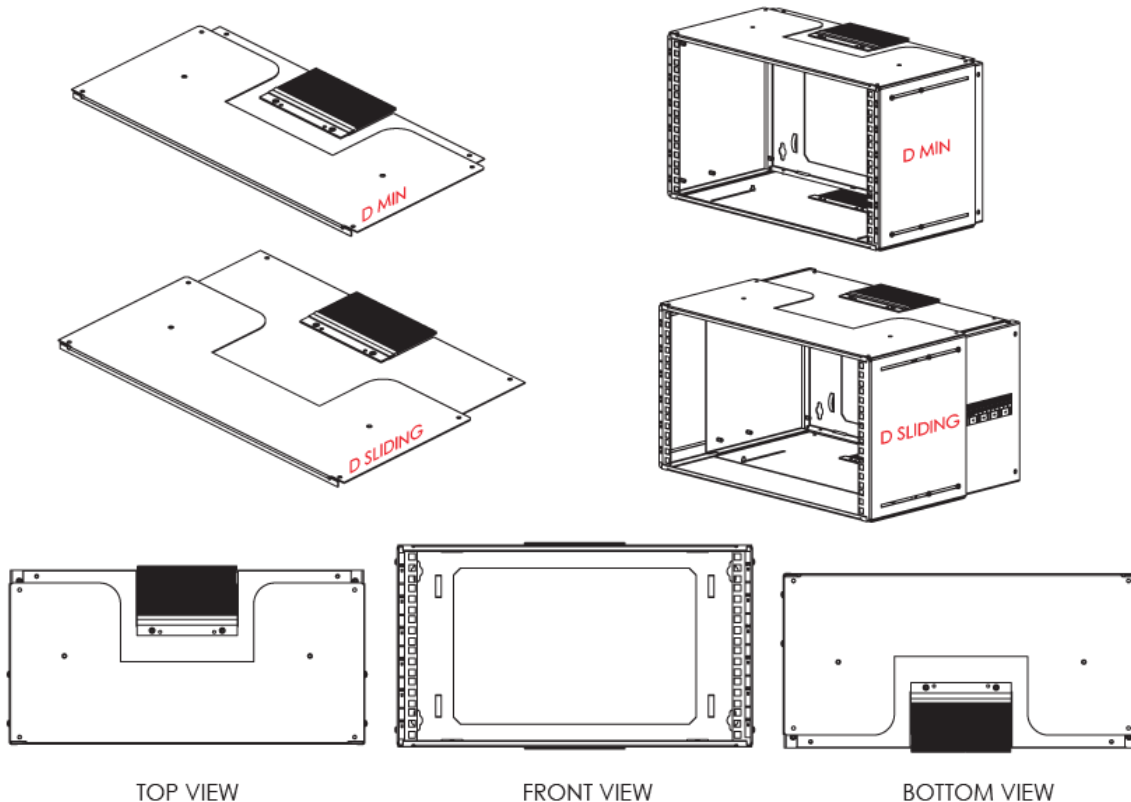
How to set up your bracket



Adjust the depth of the bracket up to 100mm (4 inch)



Top & base closing panels



Customized heights due to stacking feature

